

BEAM

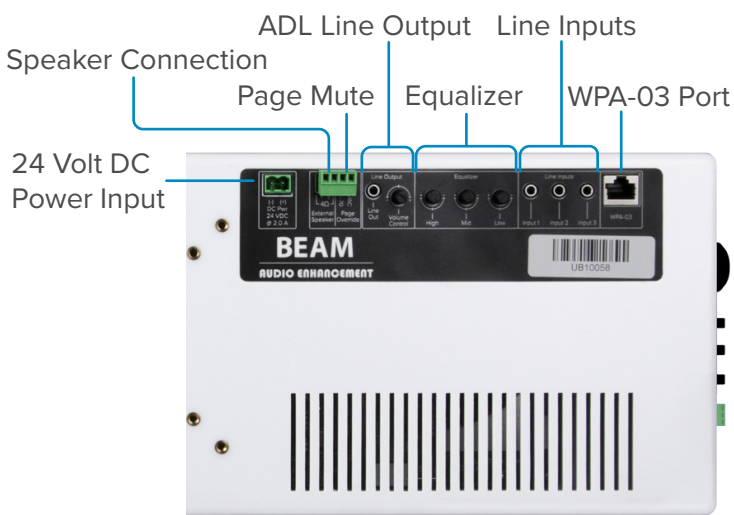
SPEC SHEET



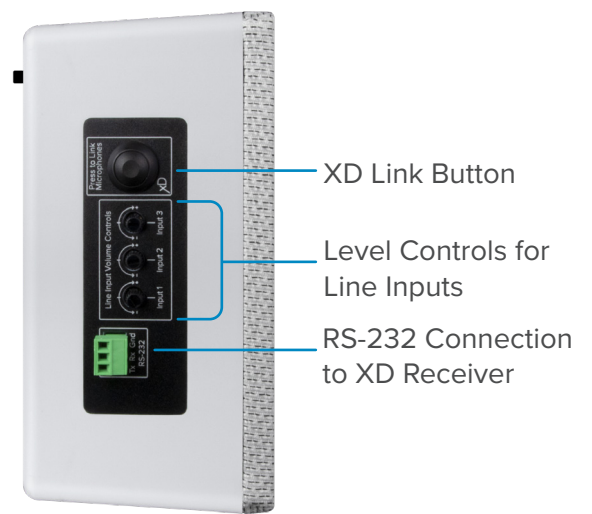
BEAM is a flexible compact solution that can be utilized via a cart mount, a portable stand, or wall mount. When using XD Microphones the BEAM encourages a equitable learning environment.



Front View



Back View



Side View

SPECIFICATIONS

BEAM	
Audio Power	50 Watts
Power Requirements	24 VDC
Connections	4 Line Inputs 3 Rear Panel 1 WPA-03 Port 2 Line/ALD Outputs 1 Rear Panel with Volume Control 1 WPA-03 Port Page Mute (Accepts 7-74 Volts AC. Mutes entire Blue Lion system on signal presence from paging system) WPA-03 Accessory Port External Speaker Output 24 VDC Input
Equalization	3 Band Equalizer (Low, Mid, High)
System Frequency	XD Technology 1.9 GHz
Microphone Type	Unidirectional electret condenser microphone
Temperature Range	32° F - 104° F (0° C - 40° C)
General Signal to Noise Ratio	80 dB or More
Frequency Response	70 Hz to 15 kHz (-10dB)
VESA Mount	75x75 - 100x100
Weight	4 lbs (64 oz)
Dimensions	6.7 (H) x 22 (W) x 3.5 (D) in. (170.2 x 558.8 x 88.9 mm)