

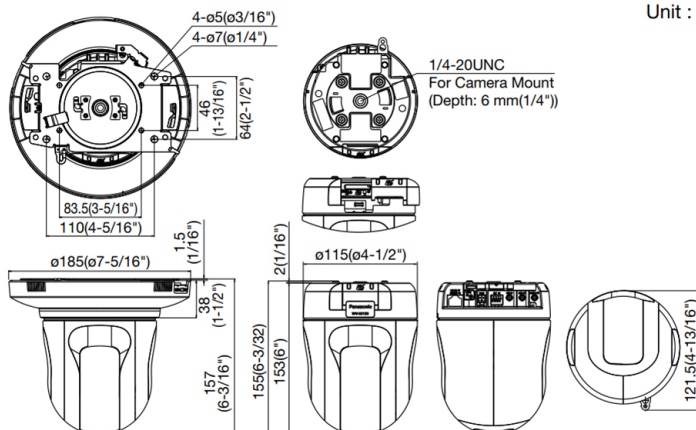
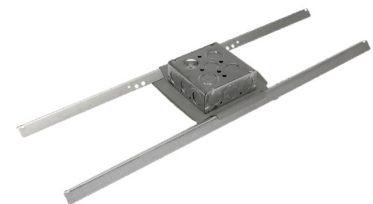


2 Megapixel HD PoE-IP Camera with 31x Optical Zoom and PTZ Control

The **EduCamPTZ-B** is a classroom camera designed to allow educators to easily broadcast and capture lessons for remote learning in both live and recorded mediums. Coupled with Audio Enhancement's VIEWpath® (Video Interactive Education Window) platform, the EduCamPTZ-B can be turned into a web cam recognized by the teacher's computer and used with popular remote learning applications such as Google Classroom, Zoom, Big Blue Button, YouTube Live and many more.

- 31x Optical Zoom
- Full HD
- Resolution up to 1920 x 1080
- Max. 30 fps @ 2MP
- Automatic Focus Control
- Advanced Classroom Audio Input – High quality sound directly from the XD classroom microphones when active, automatic switching to ambient microphone(s) when XD microphones are not being used
- PoE Powered

Tile Bridge for Drop Ceiling NE-1052
(Included with NE-8102 EduCamPTZ-B PoE Kit)



Unit : mm (inches)

Optional Accessories

Wall Mount Accessory NE-1053

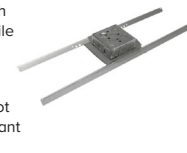


Pendant Mount Kit – NE-9103



*If using the pendant mount kit in an installation with a drop tile ceiling, the tile bridge is also required.

It is included with the standard camera kit, not included with the pendant mount kit



Model	EduCamPTZ-B
Camera	
Image Sensor	1/2.9"
Effective Pixels	2MP MOS image sensor
Max. Resolution	1920 (H) x 1080 (V)
Shutter Speed	1/30 Fix to 1/10000 Fix
Dynamic Range	144 dB (Super Dynamic: On)
Image Settings	Gain (AGC), White Balance
Image Compensation	Adaptive black stretch, Back light compensation (BLC), High light compensation (HLC), Digital Noise Reduction
Network	
Network Interface	10 Base-T / 100 Base-TX, RJ45 connector
Interoperability	ONVIF, CGI
Lens	
Focal Length	4.0 mm – 84.6 mm (5/32 inches – 3-11/32 inches)
Optical Zoom	31x (HD Extra Optical Zoom: On)
Max. Aperture	1: 1.6 (Wide) – 1 : 4.5 (Tele)
Field of View	[16 : 9 mode] Horizontal : 3.5 ° (TELE) – 74 ° (WIDE) Vertical : 2.0 ° (TELE) – 42 ° (WIDE)
Focus Range	1.5 m (4ft 11- 1/16 inches) – ∞
Ports	
Audio In	1
Audio Out	1
Power	
Power Supply	DC12 V 1 A PoE(IEEE802.3af) DC 48 V 250 mA
Power Consumption	DC 12 V – Approx. 12 Watts PoE Approx. 12 W (Class0 device)
Environment	
Operating Temperature	-10 °C to +50 °C (14 °F to 122 °F)
Operating Humidity	10 to 90 %
Safety	UL (UL60950-1), c-UL (CSA C22.2 No.60950-1), CE, IEC60950-1
EMC	FCC (Part15 ClassA), ICES003 ClassA, EN55032 ClassB, EN55024
PTZ	
Panning Range	0°-350°
Panning Speed	Manual : Approx. 0.5°/s – 100°/s Preset : Up to approx. 300°/s
Tilting Range	Operational range: -30 ° – 90 ° (level – downward)
Tilting Speed	Manual : Approx. 0.5°/s – 100°/s Preset : Up to approx. 100°/s
Presets	256 positions
Auto Mode	Auto pan/ Preset sequence/ Patrol
Self Return	10 s/ 20 s/ 30 s/ 1 min/ 2 min/ 3 min/ 5 min/ 10 min/ 20 min/ 30 min/ 60 min

Video & Audio	
Resolution - H.265/ H.264, JPEG (MJPEG)	2 mega pixel [16 : 9] (30/60 fps) 1920×1080 / 1280×720 / 640×360 / 320×180
H.265/H.264 Transmission Mode	Constant bit rate / VBR / Frame rate / Best effort
H.265/H.264 Transmission Type	Unicast / Multicast
JPEG Image Quality	10 steps
Audio Compression	G.726 (ADPCM) : 16 kbps / 32 kbps G.711 : 64 kbps AAC-LC*5 : 64 kbps / 96 kbps / 128 kbps
Audio transmission mode	Off / Mic (Line) input / Audio output / Interactive (Half duplex) / Interactive (Full duplex)
Supported Protocol	IPv6 : TCP/IP, UDP/IP, HTTP, HTTPS, RTP, FTP, SMTP, DNS, NTP, SNMP, DHCPv6, MLD, ICMP, ARP, IEEE 802.1X, DiffServ IPv4 : TCP/IP, UDP/IP, HTTP, HTTPS, RTSP, RTP, RTP/RTCP, FTP, SMTP, DHCP, DNS, DDNS, NTP, SNMP, UPnP, IGMP, ICMP, ARP, IEEE 802.1X, DiffServ
Maximum concurrent access number	Up to 14 users (Depends on network conditions)
SDXC / SDHC / SD Memory Card	H.265 / H.264 recording : Manual REC / Alarm REC (Pre/Post) / Schedule REC / Backup upon network failure JPEG recording : Manual REC / Alarm REC (Pre/Post) / Backup upon network failure
Structure	
Dimensions	Including the decorative cover ø185 mm × 157 mm (H) (ø7-9/32 inches × 6-3/16 inches (H)) Excluding the decorative cover(place the camera upside-down) ø115 mm × 155 mm (H) (ø4-17/32 inches × 6-3/32 inches (H))
Mass	Approx. 1.1 kg (2.43 lbs) Including Camera mount bracket, decorative cover : Approx. 200 g (0.44 lbs)
Casing & Finish	Camera : PMMA resin, Fine silver Decorative cover : PC / ABS resin, Fine silver