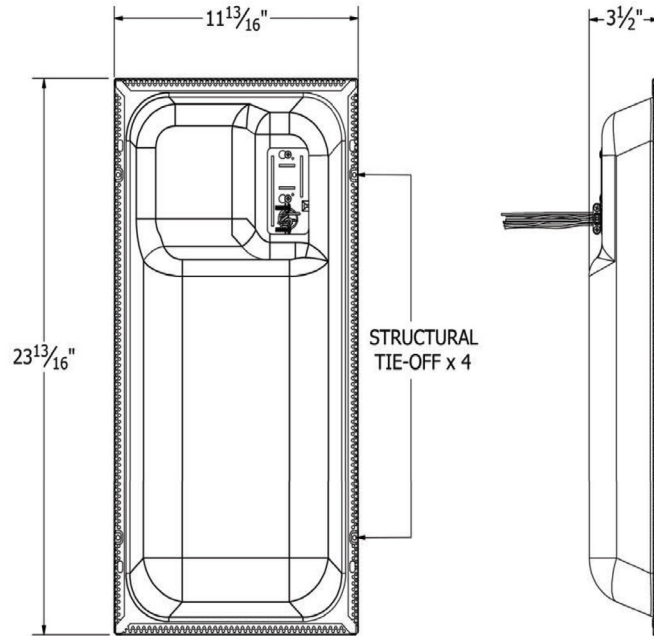
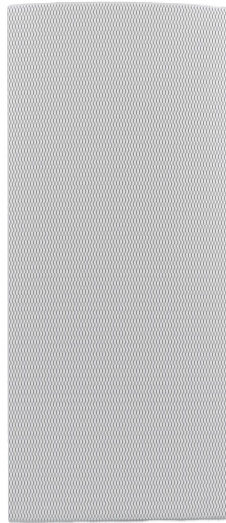


Side View



Front View

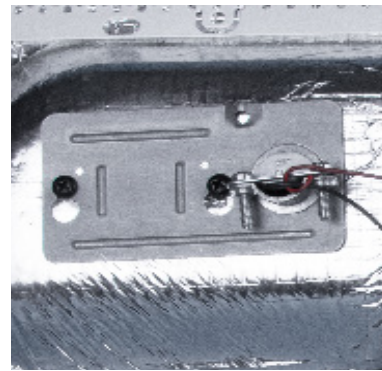


Back View



Tie-Off Tabs

Wiring Access



The **FS-22 Flat Panel Speaker** is a custom, fully assembled speaker. Enjoy crystal-clear audio in schools and district buildings. This speaker is designed to be a ceiling tile replacement speaker and fits into a standard grid ceiling. A replacement 24", "T" rail is included, allowing the installer to make one simple cut across a tile to create the 1-foot opening for the speaker. Includes four (4) secure tie-off tabs for additional security. Meets UL2043 criteria for plenum installation.



## Speaker Specifications

Frequency Response	70 Hz - 15 kHz (-10 dB) 100 Hz - 14 kHz +/-2 dB
Power Handling	50 W continuous pink noise
Sensitivity	88 dB (1W/1M)
Impedance	8 Ohm nominal
Mounting	Lay in, four tie-off tabs for additional mounting integrity (1) 24", "T" rail included
Plenum Rated Back Can	Speaker back can meets UL2043 criteria for plenum installation
Speaker Wire Terminals	Speaker wires
Weight	4.6 lbs. (1.2 kg)
Dimensions	Height 24 in. (609.6 mm) Width 12 in. (304.8 mm) Depth 3.75 in. (95.25 mm)



Back can is RoHS and UL compliant.

