

Note: Volume levels on line inputs can only be adjusted via USB or in a browser if connected to the network. Install and run the MS-500 software before connecting the USB.

Note: Individual volume levels of the Teacher Microphone can be adjusted with the UP and DOWN volume buttons.



Press & hold the PWR button to turn the mic on or off.

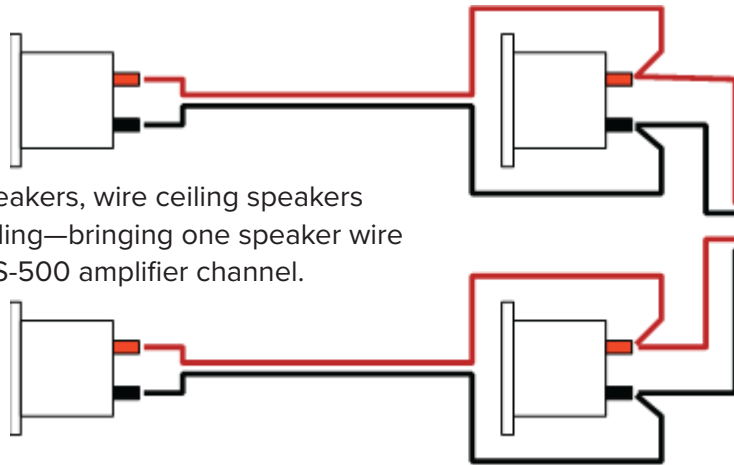
A momentary press of the PWR button will mute or unmute the microphone audio. If muted for more than 5 minutes, the microphone will turn off automatically.

Charging the XD Teacher Microphone

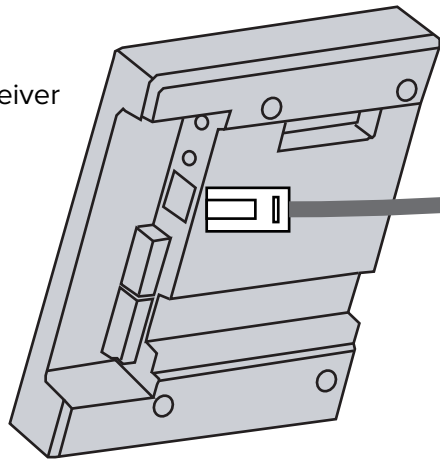
- Step 1. Connect the micro-USB plug of the charger to the DC input terminal of the microphone.
- Step 2. The charger indicator light will blink at 2-second intervals
- Step 3. The charger indicator light will remain on once fully charged.



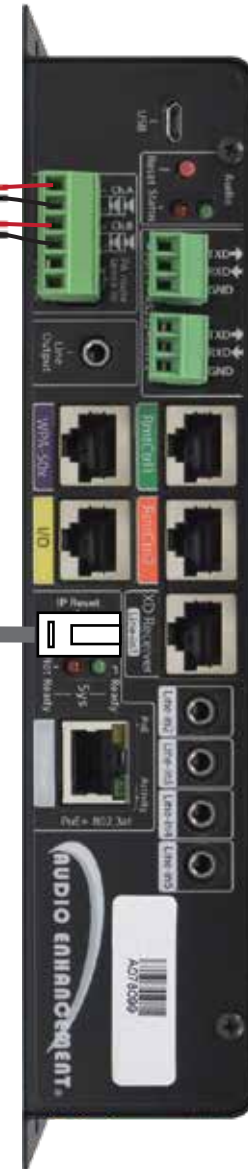
When using 4 speakers, wire ceiling speakers parallel in the ceiling—bringing one speaker wire per pair to the MS-500 amplifier channel.



XD Receiver



CAT6 Cable



Speaker end



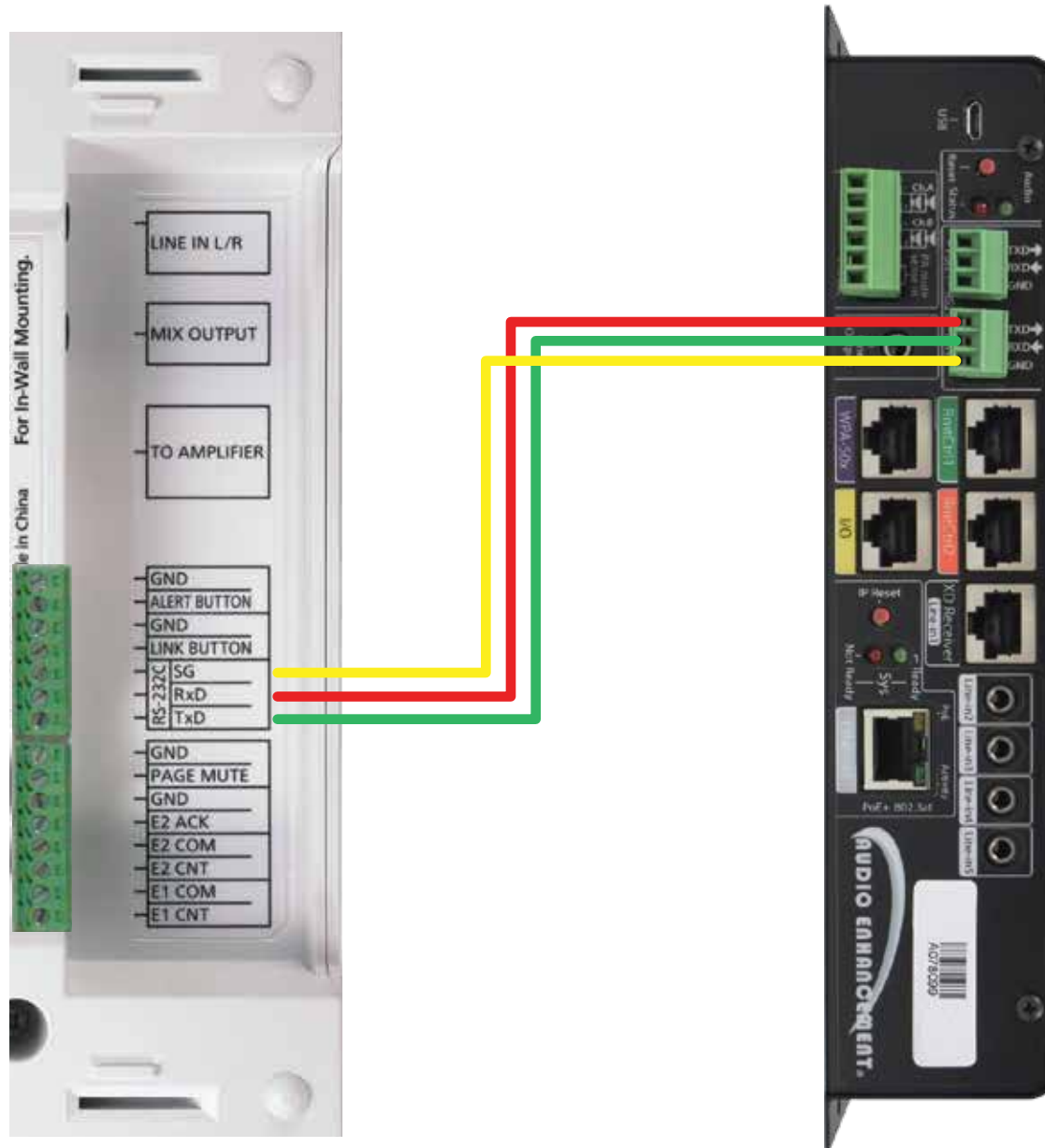
Amplifier end



Speaker wire with tinned leads can be used on the spring loaded terminals on the speaker.

You must cut off the tinned portion of the ends inserted into the green terminal blocks on the amplifier so that bare copper is being captured by the screw compression terminals.

Connecting XD Receiver to MS-500 for SAFE System



Remote Volume Control of the Teacher and Student Microphones



Teacher Microphone (OWN) Level Adjustment

Press either the UP or DOWN arrow button to increase or decrease the level of the Teacher microphone. A blue LED over the **OWN** (for own microphone) will flash with each press.

The "SELECT" button determines which level will be controlled by the UP/DOWN buttons

Student Microphone (OTHER) Level Adjustment

To adjust the Student Microphone (**OTHER**) volume, first press the **SELECT** button so that the LED over the **OTHER** label comes on. Now press the UP/DOWN buttons to control the level of the **OTHER** microphone, which is typically the Student Microphone.

Multimedia Level Adjustment



Selecting the LINE audio source will control the volume of audio devices that you have plugged into the "Line In" input on the XD receiver or Input 5 on the MS-500 if the RS232 lines are connected.

Pairing Microphones to Your Receivers

Your XD microphones should already be paired to the receiver. You can check this by turning on your Teacher and Student Microphones (Teacher Mic: press PWR for 1 second; Student Mic: flip TALK switch up). If the LED under the BATT indicator turns green, the mic is paired. If the LED blinks another color (orange), then turn off your microphones and use the following instructions to pair them to the receiver.



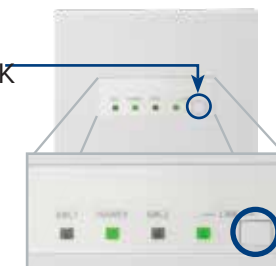
Teacher Mic



Student Mic

Teacher Microphone

- Turn mic off: press and hold **PWR/MUTE** until the green BATT light extinguishes.
- Press the **LINK** button on the receiver (LINK LED will blink yellow).
- Press and hold the **PWR/MUTE** and **REC** buttons on the Teacher Microphone until the microphone links. You will know it is linked when the BATT LED on the microphone and LINK LED on receiver glow green and an audible beep will sound through the speakers.



Student Microphone

- Turn mic off: flip the **TALK** switch down. The green BATT light will extinguish.
- Press the **LINK** button on the receiver (LINK LED will blink yellow).
- Press and hold the **LINK** button and flip up the **TALK** switch on the Student Microphone until the microphone links. You will know it is linked when the BATT LED on the microphone and LINK LED on receiver glow green and an audible beep will sound through the speakers.

