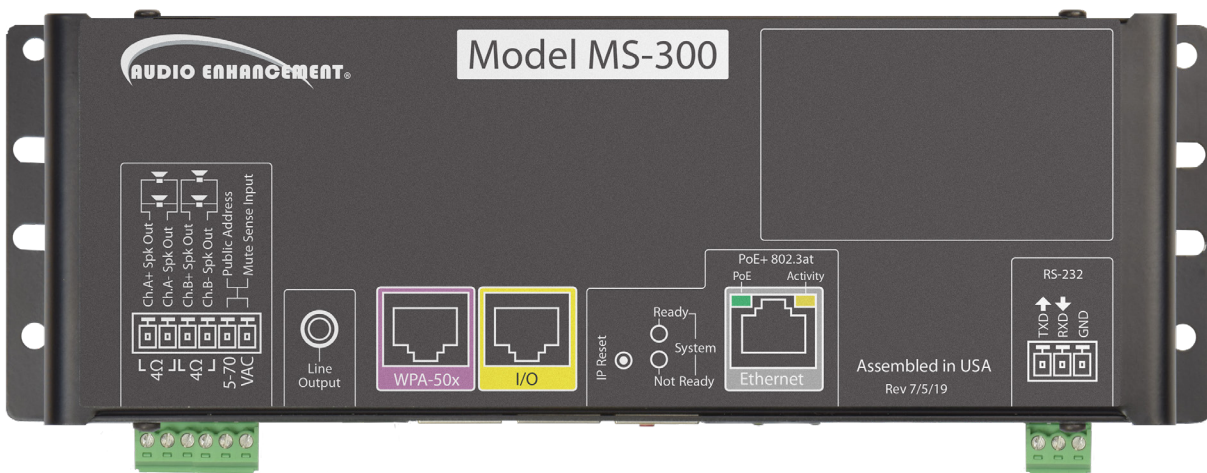
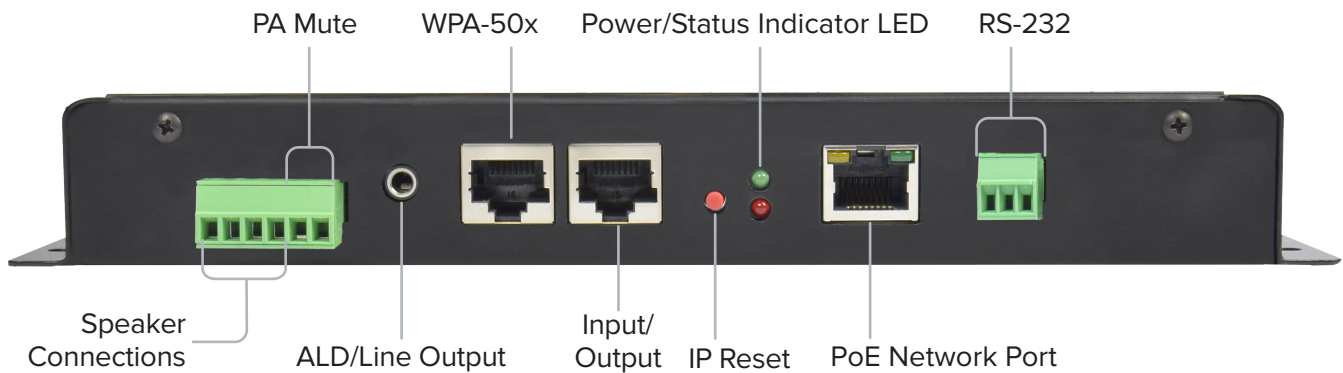


MS-300 NETWORK INTERFACE

SPEC SHEET



The **MS-300 Network Interface** is an easy-to-use and easy-to-install network interface that features built in intercom, paging, and emergency notification functionality. The entire unit utilizes Power Over Ethernet (PoE), minimizing cable runs and giving it the ability to act as a reliable paging system during emergencies, even when power is cut. This unit can also be installed as part of the SAFE System (Signal Alert For Education)[®] to enable schoolwide lockdown alerts.



SPECIFICATIONS

MS-300 NETWORK INTERFACE	
Audio Power	Internal Network Audio
Line Outputs	1 Unbalanced (3.5 mm) output
Minimum Load Impedance	4 Ohms
Amplifier Type	92% Efficient Class D for network audio only, DECT Technology 1.9 GHz
Continuous Power @ 1% THD	25W powered by PoE [†]
S/N	>89 dB @ 20 Hz to 20 kHz at maximum output
Protection Circuits	Thermal and short circuit protected
PA Connector	Connects to public address system and mutes amplifier during announcements Input Voltage: 4V RMS to 74V RMS
Control Port	RS-232, 3-pin screw terminal block header, RJ45 remote control port <ul style="list-style-type: none"> • RS-232 communication port • Intercom call, emergency alert, room microphone wall plate port (WPA-50x) • Input/output (I/O) aux port for sense, strobe, etc.
Power Supply	PoE + 802.3af/at [†]
Temperature/Humidity	Storage: -40 - 158° F (-40 - 70° C) / 10-90% non-condensing Operating: -32 - 122° F (0 - 50° C) / 10-90%
Enclosure Type	Metal
Ethernet I/F	10/100 Mbps
Power Input (Network)	PoE 802.3af/at [†]
Operating Temperature	14 - 122° F (-10 - 50° C)
Protocols	SIP RFC 3261 compatible UDP Directed Broadcast Multi-cast and VoIP enabled
Line Out: Output Signal Amplitudes	2.0 VPP maximum
Output Level	+2 dBm nominal
Total Harmonic Distortion	0.5% maximum
Weight	1.30 lbs (20.80 oz)
Dimensions	1.125 (H) x 9.19 (W) x 3.56 (D) in (28.57 x 233.43 x 90.42 mm)

[†] Dependent on PoE switch.

**Third party SIP license required.