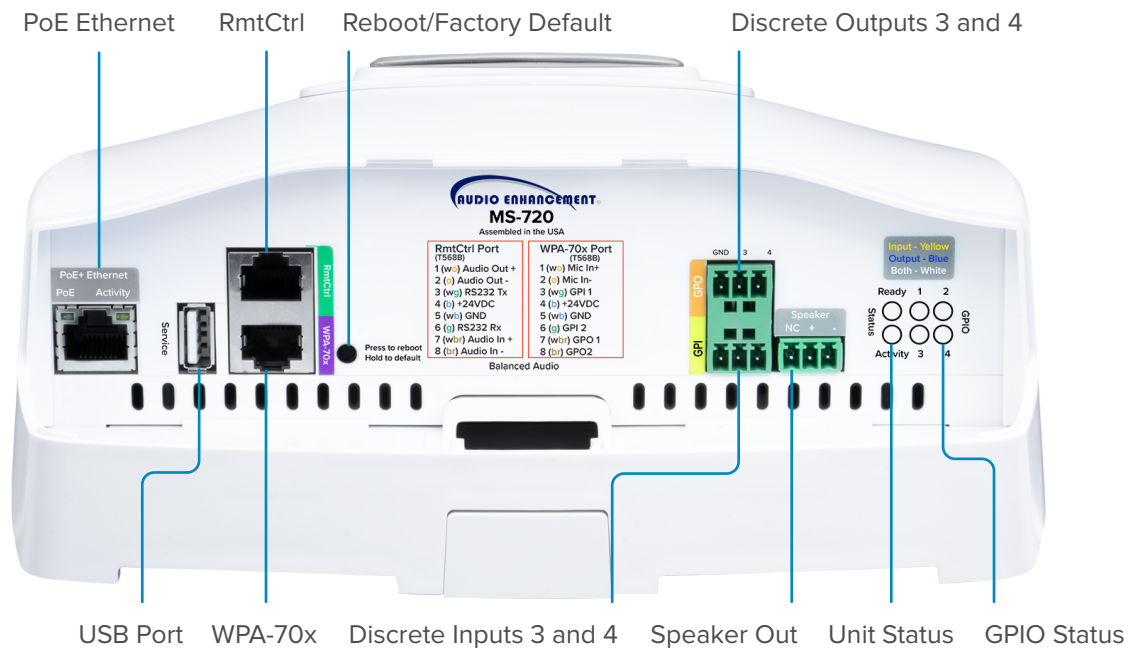


MS-720 NETWORK INTERFACE

SPEC SHEET



The **MS-720 Network Interface for 2-Way Intercom** is a fully integrated networked classroom amplifier and wireless microphone receiver, perfect for audio in small rooms. This amplifier has network-based intercom, paging and emergency notification. It is easy-to-use, easy-to-install, and features an intuitive user interface. The entire unit utilizes Power over Ethernet (PoE+) and supports full duplex SIP communications. When used in conjunction with an Uninterruptable Power Supply (UPS), paging can still be heard during power outages and emergencies. This unit can be installed as part of the EPIC (Education & Paging Intercom Communications) System®, SAFE (Signal Alert For Education) System®, or integrated with other building systems.



SPECIFICATIONS

| MS-720 NETWORK INTERFACE FOR 2-WAY INTERCOM | |
|---|---|
| LED Information | Ready Status Green - Powered on Red - Booting Activity Status Off - No active event Red - Active event GPIO (General Purpose I/O) Yellow - Input active Blue - Output active White - Input & output active |
| Line Inputs | (1) Balanced input RJ45 connectors (1) Microphone input Internal network audio |
| Input Sensitivity | 780 mV |
| Output Power | (2) 24 V RJ45 Connectors |
| Line Outputs | (1) Balanced line output RJ45 connectors |
| USB | Control and configuration via software, BLE dongle for setup |
| Speakers | 8 Ω |
| Amplifier Type | 92% efficient class D |
| Continuous Power @ 1% THD | 1 W |
| S/N | >89 dB @ 20 Hz - 20 kHz at maximum output |
| Minimum Impedance Load | 8 Ω |
| Protection Circuits | Thermal and short circuit protected |
| Control Port | (1) RMT CTRL Ports: for integration with LCD wall plate control, RJ45 (1) WPA port, RJ45 (1) GPO port, 3 pin Phoenix (1) GPI port, 3 pin Phoenix |
| Temperature/Humidity | Storage: -40 - 158° F (-40 - 70° C) / 10-90% non-condensing Operating: -32 - 122° F (0 - 50° C) / 10-90% |
| Enclosure Type | Plastic |
| Ethernet I/F | 10/100 Mbps |
| Protocols | SIP RFC 3261 compatible UDP directed broadcast VoIP enabled |
| Output Signal Amplitudes | 2.0 VPP maximum |
| Output Level | +2 dBm nominal |
| Total Harmonic Distortion | THD+N: 1.20% |
| Weight | 1.85 lbs (29.6 oz) |
| Dimensions | 12.20 (H) x 8.70 (W) x 3.00 (D) in (310 x 221 x 76 mm) |