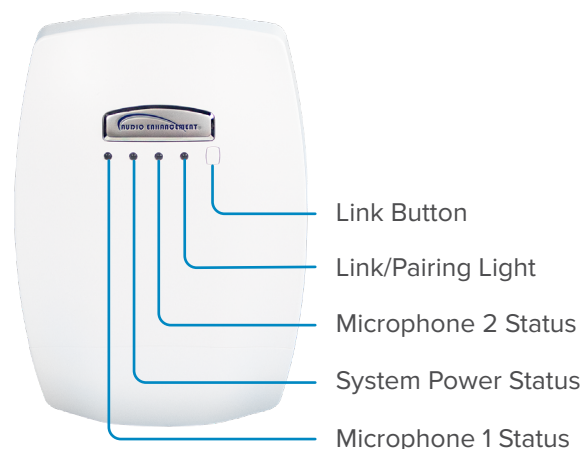
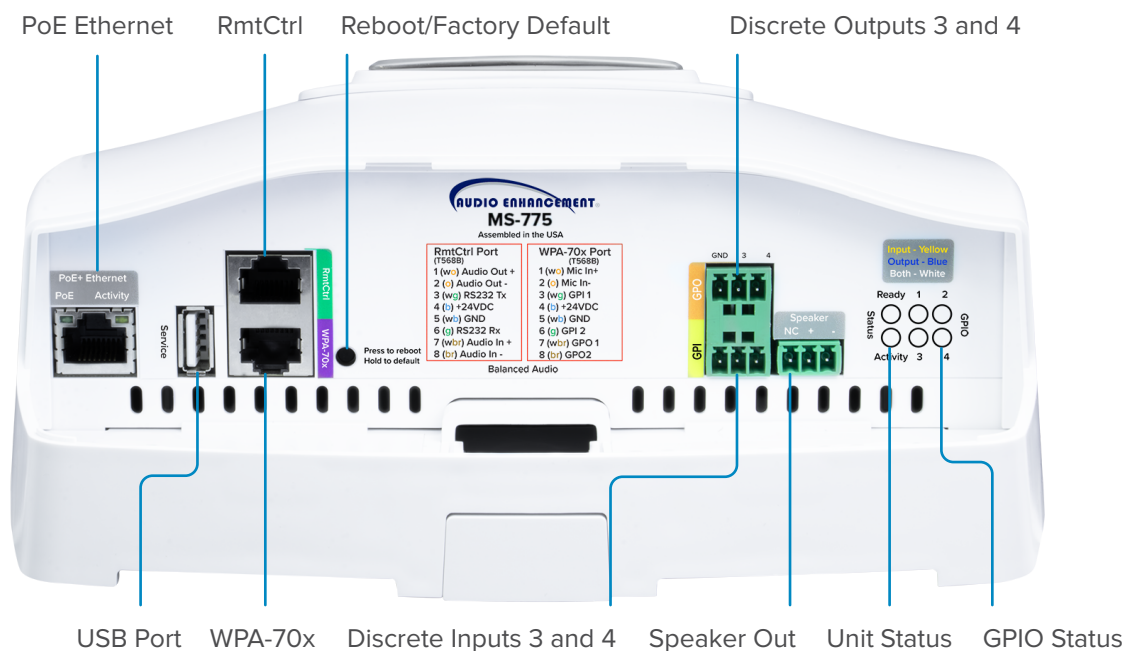


MS-775 NETWORK INTERFACE

SPEC SHEET



The **MS-775 Network Interface for SAFE Alert Extender** is a fully integrated networked classroom amplifier and wireless microphone receiver, perfect for audio in small rooms. This amplifier has network-based intercom, paging and emergency notification. It is easy-to-use, easy-to-install, and features an intuitive user interface. The entire unit utilizes Power over Ethernet (PoE+) and supports full duplex SIP communications. When used in conjunction with an Uninterruptable Power Supply (UPS), paging can still be heard during power outages and emergencies. This unit can be installed as part of the EPIC (Education & Paging Intercom Communications) System®, SAFE (Signal Alert For Education) System®, or integrated with other building systems. It includes an XD Receiver to support intercom for full duplex audio.



SPECIFICATIONS

MS-775 NETWORK INTERFACE FOR SAFE ALERT EXTENDER	
LED Information	<p>Front LEDs</p> <ul style="list-style-type: none"> Power - Green when powered on Link - Blinking yellow when linking Microphone 1 Status - Green when connected to mic Microphone 2 Status - Green when connected to mic <p>Ready Status</p> <ul style="list-style-type: none"> Green - Powered on Red - Booting <p>Activity Status</p> <ul style="list-style-type: none"> Off - No active event Red - Active event <p>GPIO (General Purpose I/O)</p> <ul style="list-style-type: none"> Yellow - Input active Blue - Output active White - Input & output active
Line Inputs	(1) Balanced input RJ45 connectors (1) Microphone input Internal network audio
Input Sensitivity	780 mV
Output Power	(2) 24 V RJ45 Connectors
Line Outputs	(1) Balanced line output RJ45 connectors
USB	Control and configuration via software, BLE dongle for setup
Speakers	8 Ω
Amplifier Type	92% efficient class D
Continuous Power @ 1% THD	1 W
S/N	>89 dB @ 20 Hz - 20 kHz at maximum output
Minimum Impedance Load	8 Ω
Protection Circuits	Thermal and short circuit protected
Control Port	(1) RMT CTRL Ports: for integration with LCD wall plate control, RJ45 (1) WPA port, RJ45 (1) GPO port, 3 pin Phoenix (1) GPI port, 3 pin Phoenix
Temperature/Humidity	Storage: -40 - 158° F (-40 - 70° C) / 10-90% non-condensing Operating: -32 - 122° F (0 - 50° C) / 10-90%
Enclosure Type	Plastic
Ethernet I/F	10/100 Mbps
Protocols	SIP RFC 3261 compatible UDP directed broadcast VoIP enabled
Output Signal Amplitudes	2.0 VPP maximum
Output Level	+2 dBm nominal
Total Harmonic Distortion	THD+N: 1.20%