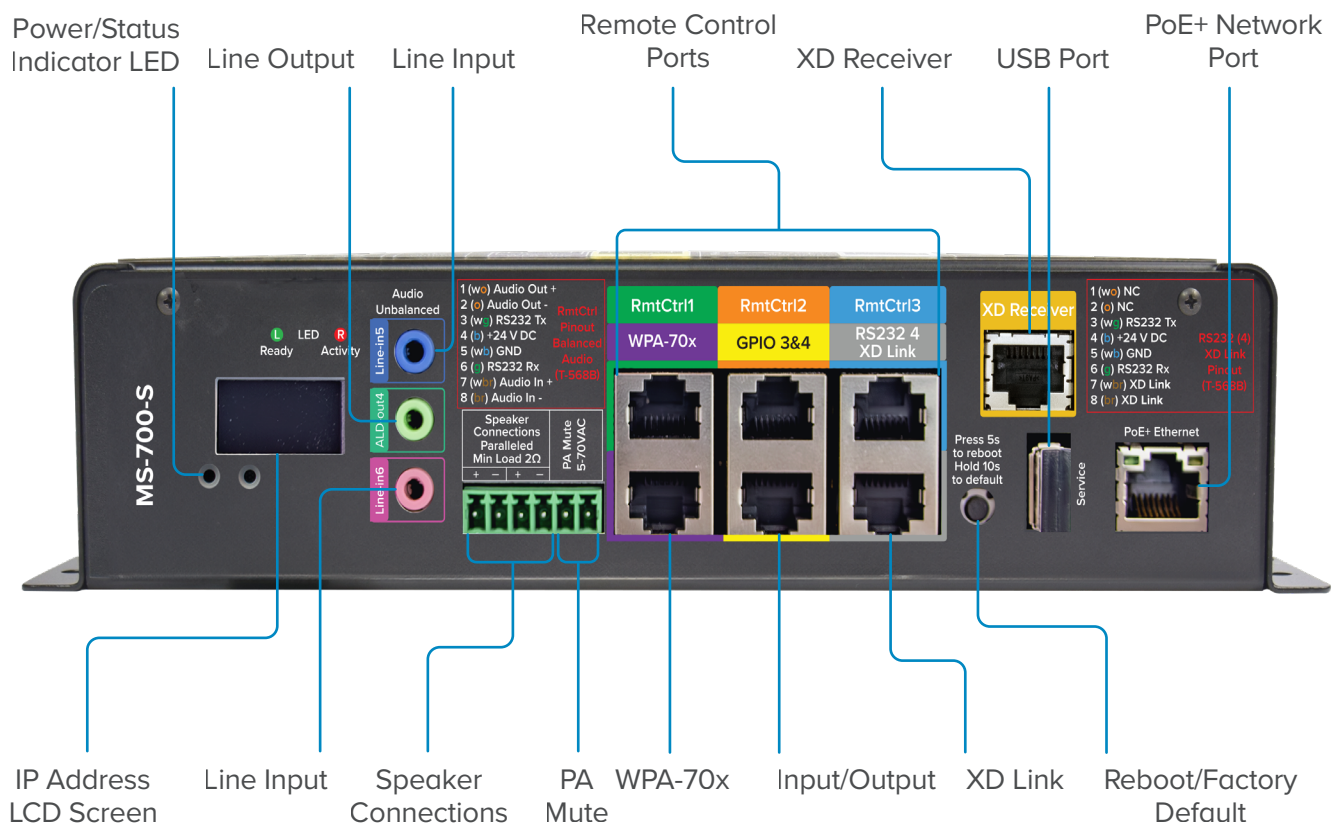


# MS-700-S OPTIMUM AMPLIFIER

## SPEC SHEET

The **MS-700-S Optimum Amplifier** is a network amplifier. This amplifier has network-based intercom, paging, emergency notifications, and provides full-duplex audio. It is easy-to-use, easy-to-install, and has a user-friendly interface. The entire unit utilizes Power over Ethernet (PoE+). Intercom and paging functionalities are built-in. When used in conjunction with an Uninterruptable Power Supply (UPS), during emergencies, paging can still be heard, even when the power goes out. This unit can be installed as part of the SAFE (Signal Alert For Education) System®.



# SPECIFICATIONS

MS-700-S OPTIMUM AMPLIFIER	
Line Inputs	For PC, DVD audio, MP3, auxiliary mic, or other multimedia sources <ul style="list-style-type: none"> <li>• (2) Line unbalanced stereo inputs (3.5 mm)</li> <li>• (3) Remote control ports with audio in</li> <li>• Internal Network Audio</li> <li>• Integrated XD Microphone Receiver</li> </ul>
Line Outputs	(1) Unbalanced (3.5 mm) output (3) Remote control ports with audio out (RJ45 connectors)
Equalizer	5-Band Equalizer
Connections	USB A Control and configuration via App
Minimum Load Impedance	4 Ohms on each pair of terminals (2 Ohm load overall is nominal)
Amplifier Type	92% Efficient Class D
Continuous Power @ 1% THD	30 W powered by PoE <sup>†</sup>
S/N	>89 dB @ 20 Hz to 20 kHz at maximum output
Protection Circuits	Thermal and short circuit protected
PA Connector	Connects to public address system and mutes amplifier during announcements Input Voltage: 4 V RMS to 74 V RMS
Control Ports	(3) RJ45 remote control ports <ul style="list-style-type: none"> <li>• Integration with LCD wall plate control</li> <li>• Input/output (I/O) aux port for sense, strobe, etc.</li> </ul> (1) WPA-70 wall plate port for Intercom call, emergency alert, room microphone (1) Input/output port (1) XD Receiver Interface (An adapter cable is needed to connect to the XD Receiver)
Power Supply	Supply and Input (Network) PoE 802.3af/at <sup>†</sup>
Temperature/Humidity	Storage: -40 - 158° F (-40 - +70° C) / 10-90% non-condensing Operating: -32 - 122° F (0 - +50° C) / 10-90%
Enclosure Type	Metal
Ethernet I/F	10/100 Mbps
Protocols	SIP RFC 3261 compatible UDP Directed Broadcast Multi-cast and VoIP enabled
Lineout: Output Signal Amplitudes	2.0 VPP maximum
Output Level	+2 dBm nominal
Total Harmonic Distortion	0.5% maximum
Weight	1.0 lbs (16 oz)
Dimensions	2.1 (H) x 8.5 (W) x 4 (D) in (52 x 215 x 102 mm)
Software	Requires EPIC 2.5 or later
Part Number	AM-3255

<sup>†</sup> Dependent on PoE Switch.

\*Third party SIP License required.

The SAFE System (patent pending) is an alert notification system not intended to be a life-saving device or prevent emergencies. Audio Enhancement®, our agents, employees, subsidiaries, affiliates and parent companies are exempt from liability for any loss, damage, injury or other consequence arising directly or indirectly from the application of our equipment. In the event of misuse or malfunction of the SAFE System or any of its components, Audio Enhancement, our agents, employees, subsidiaries, affiliates and parent companies are exempt from liability for any loss, damage, injury or other consequence arising directly or indirectly therefrom.